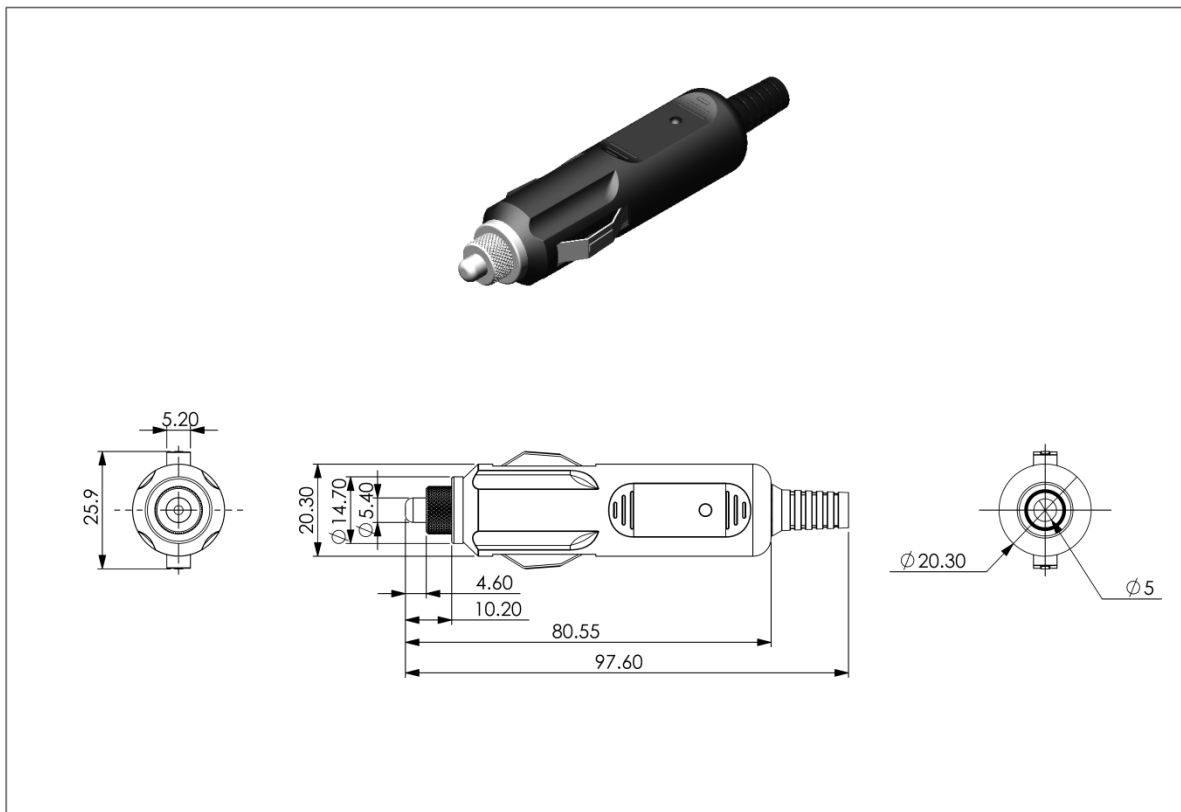


YE-2109C AUTO CIG CABLE PLUG



- W/ 30mm FUSE

- **MATERIALS :**

- POSITIVE CONTACT:
BRASS NICKEL PLATED
- SCREW CAP :
BRASS NICKEL PLATED
- RING CAP :
STEEL NICKEL PLATED
- SPRING :
PHOSPHOR BRONZE
- FUSE HOLDER :
PHOSPHOR BRONZE
- SHELL COVER :
ABS
- NEGATIVE CONTACT:
STEEL NICKEL PLATED
- BOOT :
PVC

俞昌有限公司 YEU TSANG CO. LTD.	品名: ITEM :	YE-2109C AUTO CIG. CABLE PLUG	一般公差 .X +/-0.25 .XX +/-0.10	SHEET:	1 1	單位: unit:	mm	日期: date:	'07/01/23	繪圖: drwn by:	DanielShyr
	料號: PART NO.	YE-2109C		圖號: DRW NO.		比例: scale:	1 : 1	版本: version:	V. 1.0	核准: apprvd by:	SkyShyr

COPYRIGHT BY YEU TSANG